

4

3

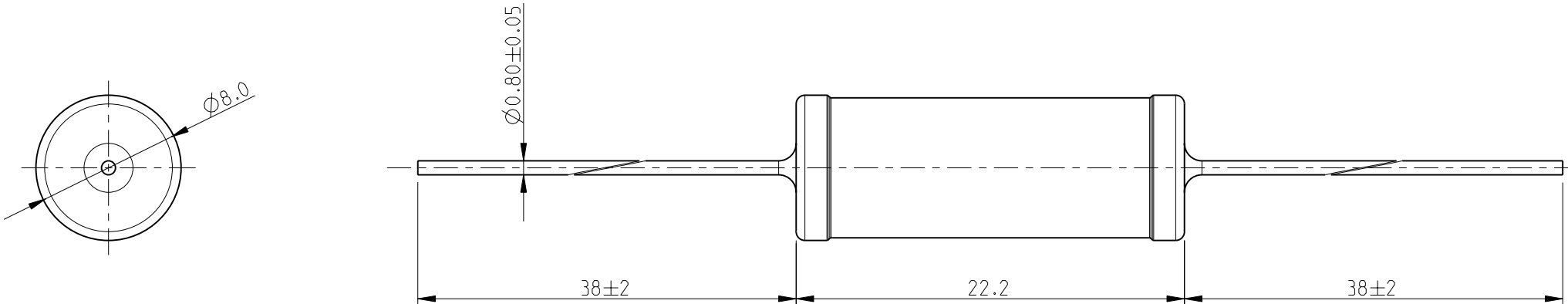
2

1

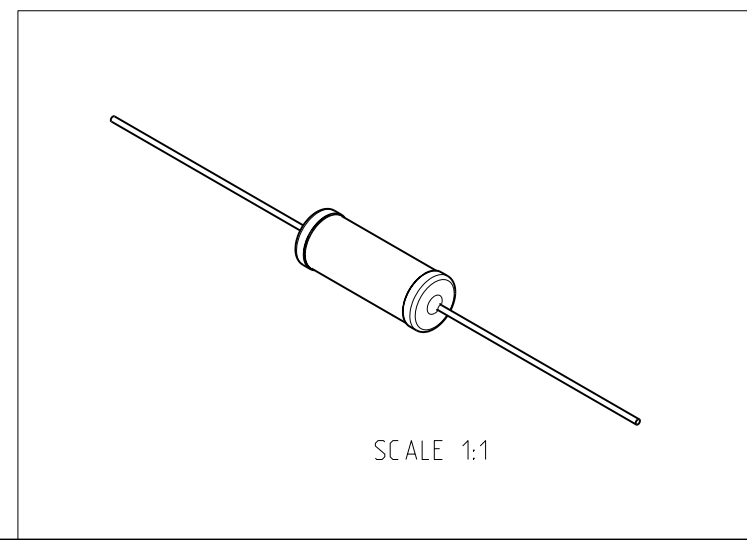
THIS DRAWING IS UNPUBLISHED. RELEASED FOR PUBLICATION 2010
 © COPYRIGHT 2010 BY - ALL RIGHTS RESERVED.


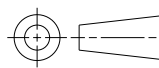
| LOC | DIST | REVISIONS | | | |
|-----|------|-------------|---------------------------|-----------|--------|
| P | LTR | DESCRIPTION | DATE | DWN | APVD |
| E | B | BA1 | REVISED PER ECO-11-005150 | 29MAR2011 | RK HMR |

FOR FURTHER INFORMATION SEE DATA SHEET FOR
 SERIES ER/ERV- HIGH POWER RESISTORS



RoHS Compliant



| | | | | | | | |
|--|---|------------------|-----------|---------------|--|-----------|--------|
| THIS DRAWING IS A CONTROLLED DOCUMENT. | | DWN | MAHARUDRA | 11-FEB-10 |  TE Connectivity NAME HIGH POWER RESISTORS SERIES ER58 | | |
| DIMENSIONS: mm | | CHK | ALLAN.P | 11-FEB-10 | | | |
|  | | APVD | STEPHEN.P | 11-FEB-10 | | | |
| TOLERANCES UNLESS OTHERWISE SPECIFIED: 0 PLC ± 0.2 1 PLC ± 0.1 2 PLC ± - 3 PLC ± - 4 PLC ± - ANGLES ± 5° | | PRODUCT SPEC | - | - | | | |
| MATERIAL | - | FINISH | - | - | APPLICATION SPEC | - | |
| | | WEIGHT | - | - | SIZE | A3 | |
| | | CUSTOMER DRAWING | | SCALE | 3:1 | CAGE CODE | 00779 |
| | | | | DRAWING NO | 1623750 | SHEET | 1 OF 1 |
| | | | | RESTRICTED TO | - | REV | BA1 |